

CABLE 393 RF: I-PEX TO RG178 TO SMA 2 HOLES PANEL JACK- 6GHz

SPECIFICATIONS:

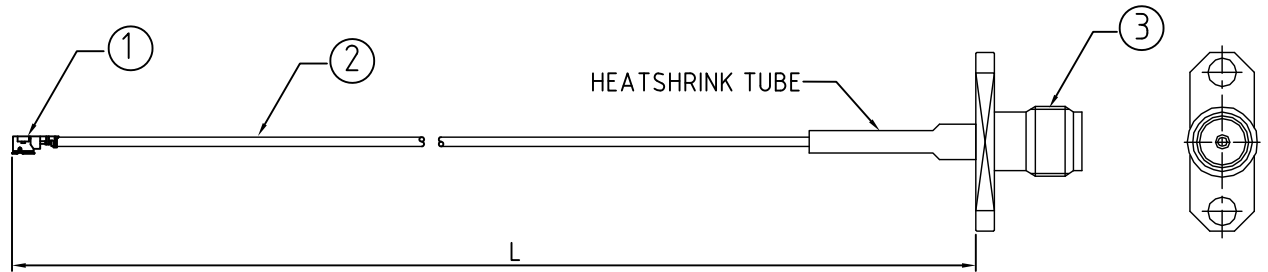
1. I-PEX MHF PLUG, P/N: 20278-112R-18
2. RG178 COAXIAL CABLE, BROWN.
3. RP SMA 2 HOLES PANEL STRAIGHT JACK, GOLD.
P/N: RFCT-SMA076-F78.

USAGE PRECAUTIONS: CABLES USING 'MICRO' COAX ARE DELICATE:

- (i) HANDLE WITH CARE.
- (ii) DO NOT TWIST; APPLY EXCESSIVE FORCES OR SHARP BENDS TO THE CABLE. DO NOT FORCEFULLY DEFORM WIRES.
- (iii) CONSULT CONNECTOR MANUFACTURER'S DATASHEETS FOR DETAILED NOTES ON HANDLING INSTRUCTIONS.

NOTES:

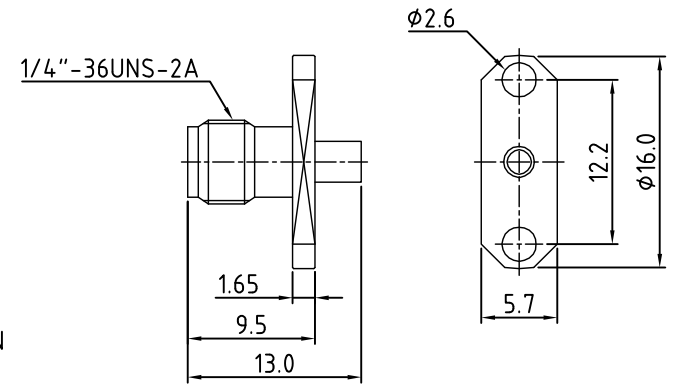
1. THE ORIENTATION OF CONNECTORS ON DRAWING IS FOR REFERENCE ONLY, IF THE ORDER IS LEFT BLANK THE CONNECTOR WILL NOT HAVE FIXED ORIENTATION.
2. FIXED ORIENTATION IS SUGGESTED FOR CABLE LENGTH 25MM 100MM. PLEASE SPECIFY THE FIXED ORIENTATIONS FROM THE ORDER CODE (F1, F2, ETC).
3. CONTACT GRAD CONN IF THE ORIENTATION YOU REQUIRE IS NOT SHOWN.
4. WORKING FREQUENCY RANGE: DC-6GHz
5. OPERATING TEMPERATURE: -40°C TO +90°C.
6. IMPEDANCE: 50 OHM.



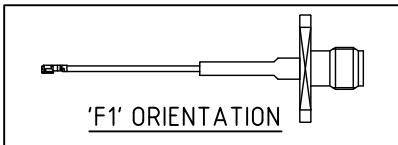
HOW TO ORDER
CABLE 393 RF - X X X - X X

"L" LENGTH IN MM
eg: 100MM = 100
(MIN. 025-MAX.400
STANDARD = 100, 150, 200)
Tolerance: <50mm : ±2mm.
51-200mm: ±5mm.
201-400mm: ±7mm.

BLANK = DOES NOT HAVE A FIXED ORIENTATION
F1 = I-PEX CONNECTION DOWN (L=25-220MM)
(SEE NOTES 1, 2, 3 AND DIAGRAMS FOR MORE INFORMATION)



SMA JACK DETAIL DIMENSION



REV. DATE & DRN
10 27/04/20 - CC RELEASE

Scale: NTS	THIRD ANGLE	Unstated .X .XX .XXX	Tolerances: ±0.20 ±0.20 ±0.20	Material SEE NOTE
Drawn: CC		ANGLES ±3°		
App'd: XXX	Title: CABLE ASSEMBLY	NOT TO SCALE		
Date: 27 APR. '20	Revision: 1.0	Unit: mm		



THIS DRAWING IS CONFIDENTIAL AND MUST NOT BE COPIED OR DISCLOSED WITHOUT WRITTEN CONSENT

Type: Cable 393 RF
CABLE 393 RF
Drawing Number:
Sheet 1 of 1
Drawing © E and O E